
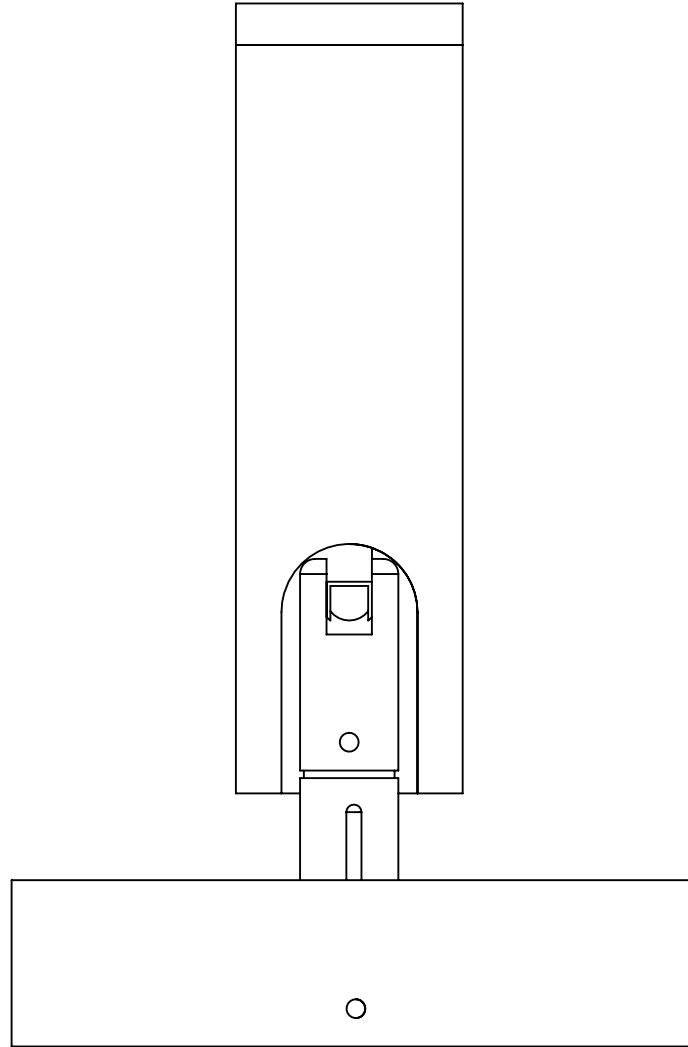


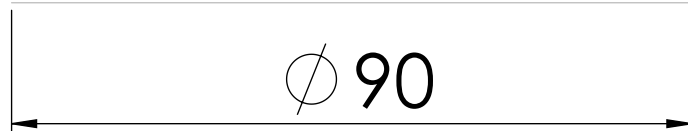
$\varnothing 30$

A horizontal dimension line with arrows at both ends, indicating a diameter of 30 units.

140

A vertical dimension line with arrows at both ends, indicating a height of 140 units.

$\varnothing 90$

A horizontal dimension line with arrows at both ends, indicating a diameter of 90 units.