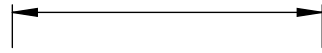
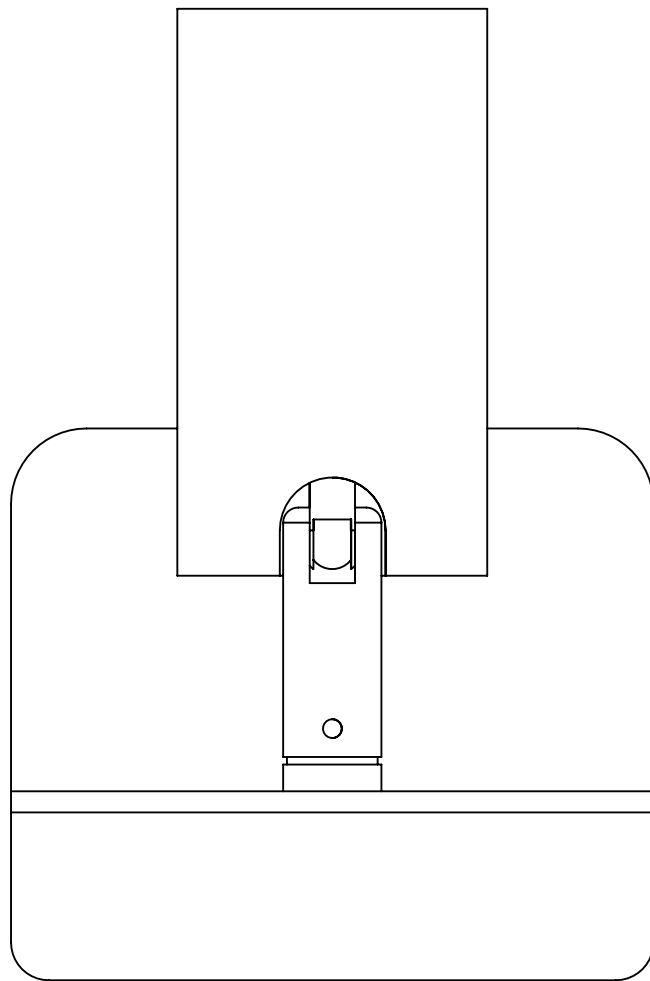
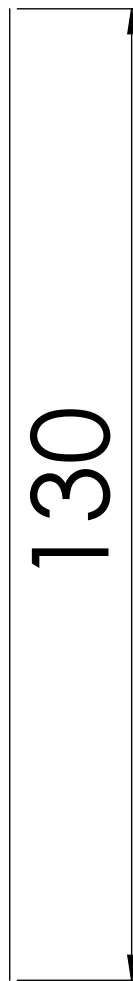


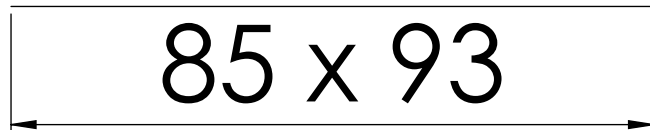
$\varnothing 41$

A horizontal dimension line with arrows at both ends, indicating a diameter of 41.

130

A vertical dimension line with arrows at both ends, indicating a height of 130.

85 x 93

A horizontal dimension line with arrows at both ends, indicating a width of 85 x 93.